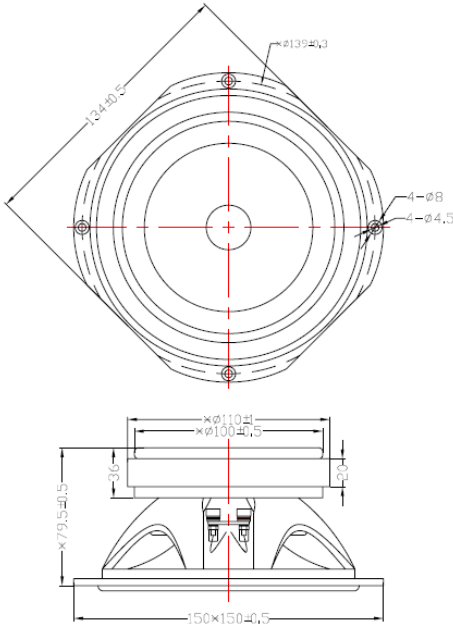


Full Range Speaker Unit



Audio Nirvana Classic 5" Cast Frame



Mounting Hole: 4 7/8 inches or 124 mm

Specifications & Thiele/Small Parameters

Impedance	: 8 Ohm	
Minimum Frequency Response	: 73 Hz	
Reproduction Frequency Response	: Fo~20K	
S.P.L.	: 92.5 dB/W(m)	
Rated Input	: 30 W	
Music Power	: 50 W	
Equivalent Diagram Radius	: 58 mm	
Equivalent Mass	: 4.6 g	
Magnet Weight	: 765 g	
Net Weight	: 1961 g	
Fs	: 73.2 Hz	
Re	: 7.2 Ohm	
Mms	: 5.4 g	
BL	: 6.9 TM	
Qts	: 0.34	
Qms	: 3.39	
Qes	: 0.38	
Vas	: 11.1Ltr	
Xmax	: 1.3 mm	
no	: 1.12%	
Material	Frame	: Cast
	Cone & Sub	: Paper
	Surround	: Fabric
	Damper	: Conex
	VC DIA	: Φ30 KSV 0.2 CCAW
	Magnet	: Φ110×Φ45×20 Y35
	Short Ring	: Cu Cap+ Al Piece
Canter Cap	: Coating Fabric Dust Cap	

